



MODEL MMB8 1-YEAR LIMITED WARRANTY

AdobeAir, Inc., Phoenix, Arizona, extends this limited warranty to the original purchaser of a Mobile WisperCool Evaporative Cooler operated under normal conditions within the continental United States.

I. One Year Coverage applies to all components and accessories furnished by AdobeAir. At our option, we will exchange or repair any part which fails due to non-conformance of material or workmanship during the first year from the date of initial purchase.

II. What this warranty does not cover:

a. This warranty does not cover any failure or damage resulting from unauthorized modification or service; or from the use of products or replacement parts other than those from AdobeAir; including, but not limited to, motors and pumps.

b. This warranty does not cover any damage or malfunction unless caused by a non-conformance in material or workmanship. Damage or malfunction which is not covered by this warranty includes, but is not limited to, water damage to the motor, abuse, misuse, alteration, improper installation / maintenance / operation, and transportation damage.

c. Mineral accumulations, dirt, and dust on the pad are not defects and are excluded from this warranty. Refer to the Owners manual supplied with your cooler for maintenance instructions to help minimize these conditions.

d. This warranty does not cover the cost of a service call at the site of installation to diagnose cause of trouble, the cost of labor to install the part, or mileage allowance to or from the site. AdobeAir does not pay freight or postage on any exchange.

e. This warranty does not cover evaporative coolers installed and operated outside the continental United States.

III. Do not use cooler cleaners, cooler treatments, or other additives in this evaporative cooler. The use of any of these products will void your warranty and may impair the life of your evaporative cooler.

IV. To obtain service under this warranty, contact the dealer where you purchased your evaporative cooler. As a final step, if you cannot locate your dealer, contact Customer Service, AdobeAir, Inc. Include your name, address and ZIP code, the model number and serial number of your evaporative cooler, date of installation, and a description of your problem.

This warranty is the only warranty extended by AdobeAir to suppliers and/or purchasers of this evaporative cooler. AdobeAir disclaims all other warranties, express or implied, that arise by the operation of the law, except that implied warranties of merchantability or fitness for a particular purpose are limited to the duration of the warranty period. AdobeAir shall not be liable for any incidental or consequential damage which may have resulted from any alleged breach or warranty.

Some states do not allow limitations on how long an implied warranty lasts or the exclusion or limitation of incidental or consequential damages, so the limitations or exclusions stated above may not apply to you.

This warranty gives you specific legal rights and you may have other rights, which vary from state to state.

Since AdobeAir, Inc., follows a policy of continuous product improvement; it reserves the right to change design and specification without prior notice or liability.



MODEL MMB10, MMB12, MMB14, MMB16 AND MMPC12 1-YEAR LIMITED WARRANTY

AdobeAir, Inc., Phoenix, Arizona, extends this limited warranty to the original purchaser of a Mobile MasterCool Evaporative Cooler operated under normal conditions within the continental United States.

- I. One Year Coverage applies to all components and accessories furnished by AdobeAir. At our option, we will exchange or repair any part which fails due to non-conformance of material or workmanship during the first year from the date of initial purchase.
- II. **What this warranty does not cover:**
 - a. This warranty does not cover any failure or damage resulting from unauthorized modification or service; or from the use of products or replacement parts other than those from AdobeAir; including, but not limited to, motors and pumps.
 - b. This warranty does not cover any damage or malfunction unless caused by a non-conformance in material or workmanship. Damage or malfunction which is not covered by this warranty includes, but is not limited to, water damage to the motor, abuse, misuse, alteration, improper installation / maintenance / operation, and transportation damage.
 - c. Mineral accumulations, dirt, and dust on the pad are not defects and are excluded from this warranty. Refer to the Owners manual supplied with your cooler for maintenance instructions to help minimize these conditions.
 - d. This warranty does not cover the cost of a service call at the site of installation to diagnose cause of trouble, the cost of labor to install the part, or mileage allowance to or from the site. AdobeAir does not pay freight or postage on any exchange.
 - e. This warranty does not cover evaporative coolers installed and operated outside the continental United States.

III. Do not use cooler cleaners, cooler treatments, or other additives in this evaporative cooler. The use of any of these products will void your warranty and may impair the life of your evaporative cooler.

- IV. To obtain service under this warranty, contact the dealer where you purchased your evaporative cooler. As a final step, if you cannot locate your dealer, contact Customer Service, AdobeAir, Inc., 500 South 15th Street, Phoenix, AZ 85034. Include your name, address and ZIP code, the model number and serial-number of your evaporative cooler, date of installation and a description of your problem, or call 602-257-0060 or visit www.AdobeAir.com.

This warranty is the only warranty extended by AdobeAir to suppliers and/or purchasers of this evaporative cooler. AdobeAir disclaims all other warranties, express or implied, that arise by the operation of the law, except that implied warranties of merchantability or fitness for a particular purpose are limited to the duration of the warranty period. AdobeAir shall not be liable for any incidental or consequential damage which may have resulted from any alleged breach or warranty.

Some states do not allow limitations on how long an implied warranty lasts or the exclusion or limitation of incidental or consequential damages, so the limitations or exclusions stated above may not apply to you.

This warranty gives you specific legal rights and you may have other rights, which vary from state to state.

Since AdobeAir, Inc., follows a policy of continuous product improvement; it reserves the right to change design and specification without prior notice or liability.



Portable Cooler P500 Owners Manual

Figure 4. Parts Call-out

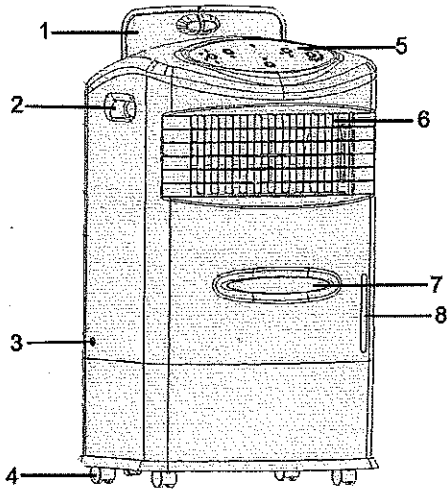


Figure 5. Parts Call-out

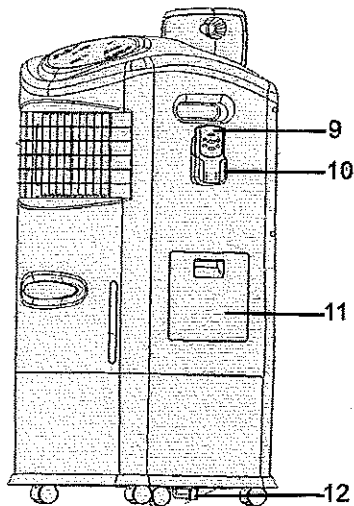
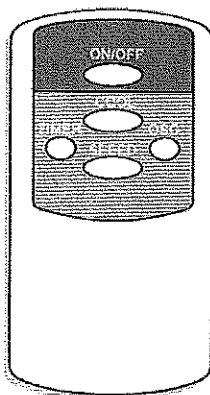


Figure 6. Remote Control



AdobeAir
1450 E Grant St
Phoenix, AZ 85034

Portable Evaporative Cooling Limited Warranty

AdobeAir, Inc., Phoenix, Arizona, extends this limited warranty to the original purchaser of a WisperCool Evaporative Cooler and Box Fan operated under normal conditions within the continental United States.

One Year Coverage applies to all components and accessories furnished by AdobeAir. At our option, we will exchange or repair any part that fails due to non-conformance of material or workmanship during the first year from the date of initial purchase.

What this warranty does not cover:

This warranty does not cover any failure or damage that results from unauthorized modification or service; or from the use of products or replacement parts other than those from AdobeAir; including, but not limited to, motors and pumps.

This warranty does not cover any damage or malfunction unless caused by a non-conformance in material or workmanship. Damage or malfunction which is not covered by this warranty includes, but is not limited to, water damage to the motor, abuse, misuse, alteration, improper installation/maintenance/ operation, and transportation damage.

Mineral accumulations, dirt, and dust on the pad and / or filter are not defects and are excluded from this warranty. Refer to the Owners Manual supplied with your cooler for maintenance instructions to help minimize these conditions.

This warranty does not cover the cost of a service call at the site of installation to diagnose cause of trouble, the cost of labor to install the part, or mileage allowance to or from the site. AdobeAir does not pay freight or postage on any exchange.

This warranty does not cover evaporative coolers operated outside the continental United States.

Do not use cooler cleaners, cooler treatments, or other additives in this evaporative cooler. The use of any of these products will void your warranty and may impair the life of your evaporative cooler.

To obtain service under this warranty contact the Customer Service Department, AdobeAir, Inc., 1450 E Grant Street, Phoenix, AZ 85034 or phone 602-257-0060. Alternately go to the Service and Warranty pages of www.AdobeAir.com and submit an inquiry by email or email directly to Warranty@AdobeAir.com.

This warranty is the only warranty extended by AdobeAir to supplies and/or purchasers of this evaporative cooler. AdobeAir disclaims all other warranties, express or implied, that arise by the operations of the law, except that implied warranties of merchantability or fitness for a particular purpose are limited to the duration of the warranty period. AdobeAir shall not be liable for any incidental or consequential damage that may be resulted from any alleged breach or warranty.

Some states do not allow limitations on how long an implied warranty lasts or the exclusion or limitation of incidental or consequential damages, so the limitations or exclusions stated above may not apply to you.

This warranty gives you specific legal rights and you may have other rights, which vary from state to state.

Since AdobeAir, Inc. follows a policy of continuous product improvement we reserve the right to change design and specifications with out prior notice or liability.

February 2006